

X - TRIPS B-1 AND B-2 HARRISON VALLEY ORISKANY GAS STORAGE FIELD  
by G. C. Borland, N.Y.St. Nat. Gas Corp.

Miles

- 0.0 9:00 A.M. Leave WR&G Club with right turn to east and cross Genesee River flood plain.
- 0.6 Turn right at Shorts Service Station onto Rt. 19 and continue south along east side of Genesee River Valley on Rt. 19.
- 2.1 Sand bank on left is in glacial terrace material.
- 3.2 On glacial lake or stream terrace on East side of Genesee valley. Stream cut in opposite side of river valley about 1 mile ahead and on right is old stream channel cut when glacial lake drained this way into the Allegheny River watershed. Present Mississippi River-Great Lakes watershed divide is about 1 mile up this valley West of Genesee River.
- 4.8 Small gravel and sand quarry on right in glacial terrace material.
- 8.6 Cross Pennsylvania State Line. N. Y. 19 becomes Pa. 449.
- 9.2 Straight ahead in Genesee, Pa., where Rt. 449 goes right. Bear right on curve just beyond. Pass Genesee school on right.
- 10.1 Straight ahead and up hill out of main Genesee River Valley.
- 12.3 Cross cleared right-of-way of New York State Natural Gas Corporation's main transmission line from Sabinsville Field station to State Line Field Station. Right of way leads off to right at angle.
- 15.9 Straight ahead at Bingham Center 4 corners.
- 16.7 Left onto dirt. Hill top straight ahead is drainage divide between Great Lakes and Atlantic Coast water sheds. Elevation approximately 2200'.
- 17.1 Left and right bends in road.
- 18.3 Straight ahead. Chemung surface outcrop evidence. Catskill on scattered hill tops.  
Note slightly reddish color of stones in fence rubble and stone piles on these hill tops. These are predominately from sandy formations in the Catskill (Cattaraugus).
- 19.0 Gas storage well on right is the Ida Scoville #1 at northwest edge of Harrison Oriskany sand gas field. Oriskany is at 5201' depth.
- 19.3 Straight ahead.
- 19.4 Left - Catskill evidence on left at top of hill.
- 19.6 Courtright storage well on left. Surface elevation 2225', top of Oriskany at 5129' in well.
- 19.9 Bear right at intersection. Glacial material on left. Terminal moraine of glaciers is about 10 miles south of this locale.
- 20.1 No. 2 Schofield storage well.
- 20.4 STOP 1 - New York State Natural Gas Corporation's Harrison Compressor Station, used solely for the storage of natural gas from Texas and the South in this previously depleted Oriskany sand gas field. Plant Engineer's house and Schofield #3 storage well on left side of road. Park on right side of road next to fence. (see fig. 5). ABSOLUTELY NO SMOKING INSIDE LIMITS OF FENCE.

11:30 A.M. The tour through the plant and "blowing off" the well will be completed about now. Those people leaving from this area can check their present location by looking at sketch in Chapt. VII, p.38

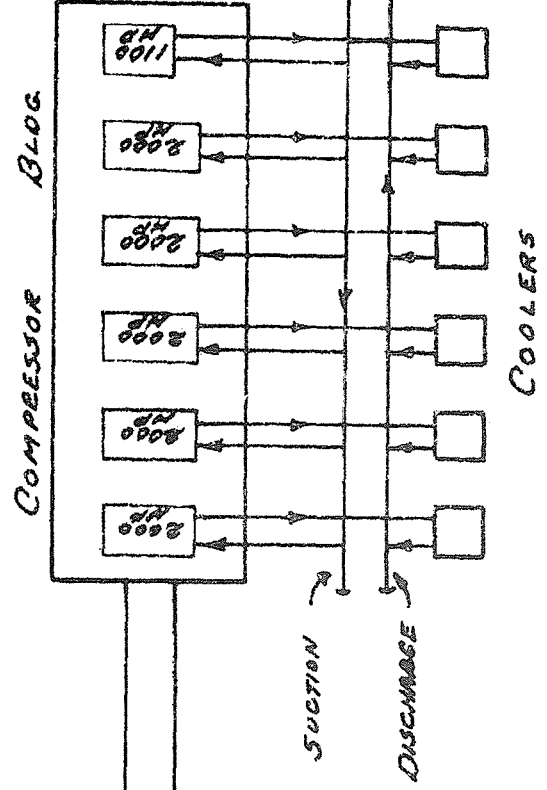
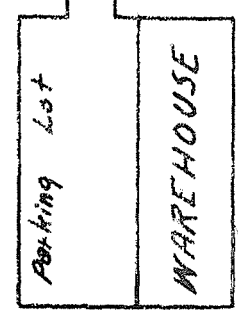
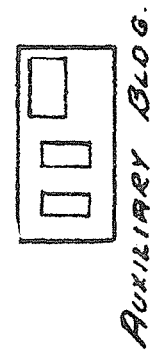
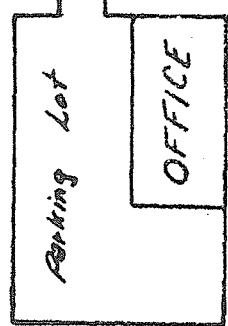
ANDREW SCHOFIELD WELL

PARK CARS HERE

PARK

NK 5 N G CORP. TENNESSEE GAS CO. SCRAPOERS DEHYDRATION

To R. Schofield Well



HARRISON VALLEY COMPRESSOR STATION

Fig. 5